



Mondial Moto s.p.a.

# CRUSCOTTO DASHBOARD

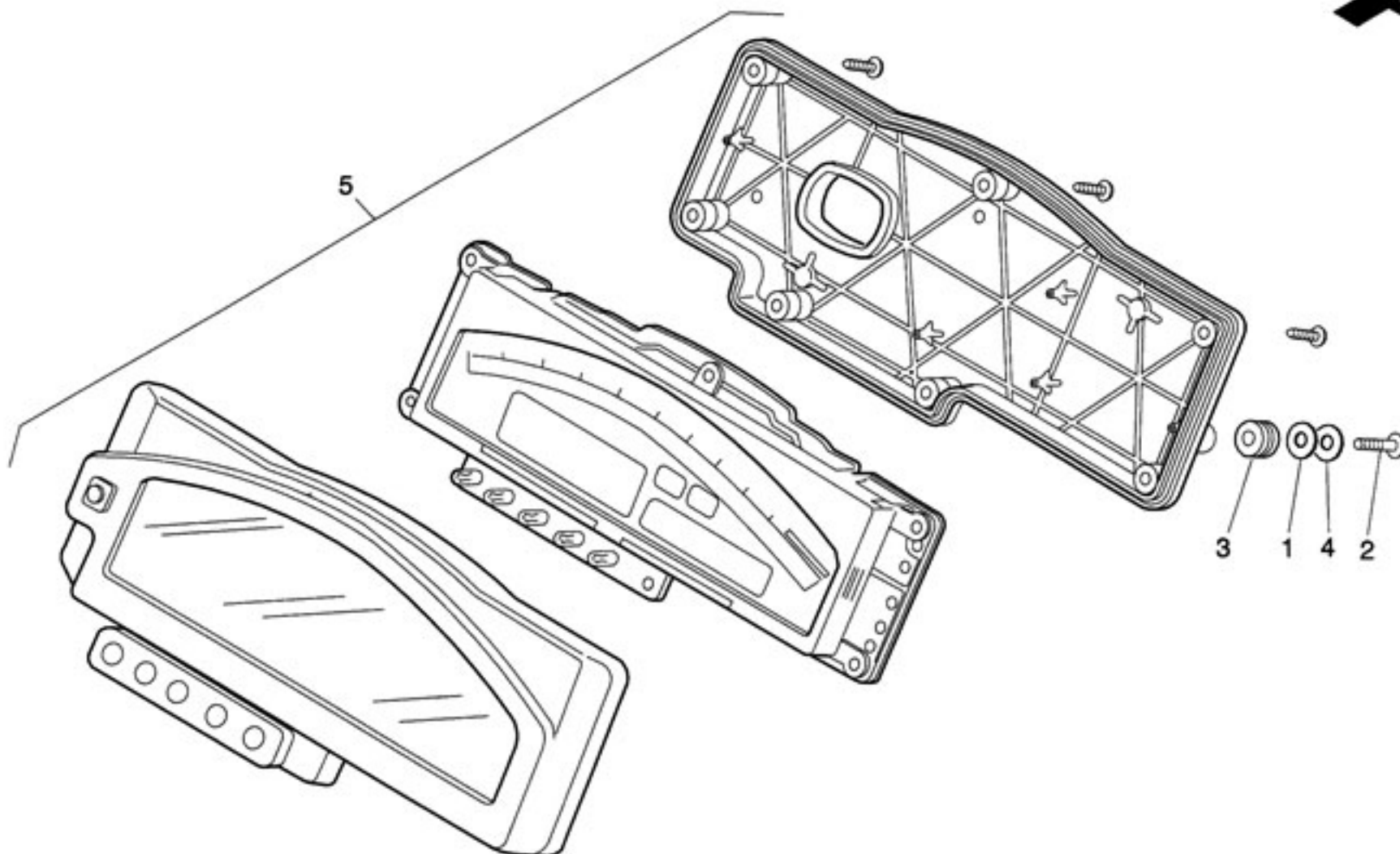
Sez.  
Sect.  
**F**

Tav.  
Tab.  
**02**

Piega

Cod. # MRBP010007.6

Release: 00/2003-07



Ref.	Descrizione	Description	Year	Version	Cod. #	Q.ty
1	Rondella in gomma	Rubber washer	-	-	2030408183.0	3
2	Vite M4,8x13	Screw M4,8x13	-	-	2011704813.0	3
3	Silent-block	Silent-block	-	-	2120081810.0	3
4	Rondella 5x15	Washer 5x15	-	-	2030200515.5	3
5	Cruscotto completo	Dashboard complete	-	-	MIEP010165.4	1