



Mondial Moto s.p.a.

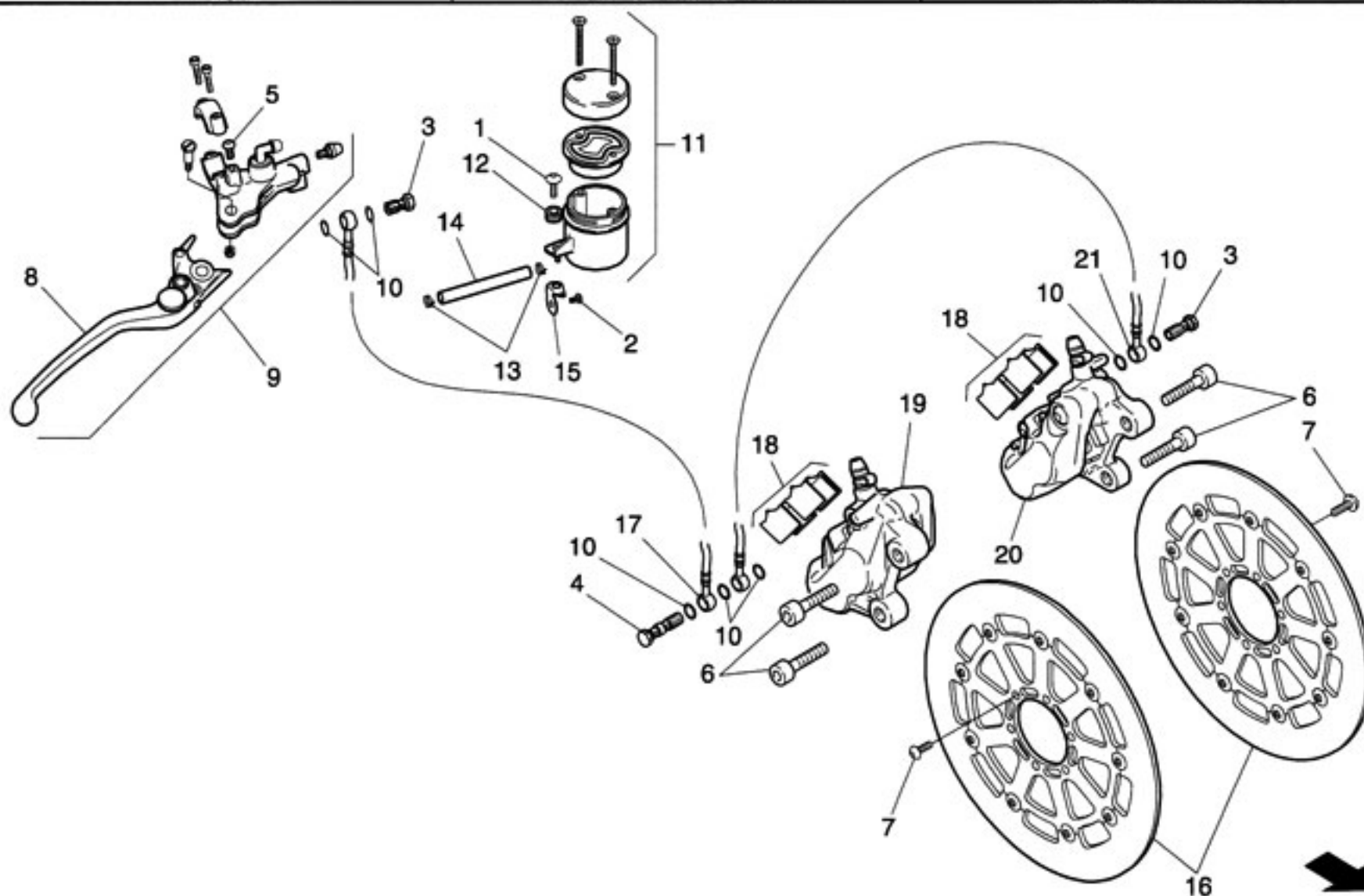
IMPIANTO FRENANTE ANTERIORE FRONT BRAKE SYSTEM

Sez.
Sect.**F**Tav.
Tab.**05**

Piega

Cod. # MRBP010007.6

Release: 00/2003-07



Ref.	Descrizione	Description	Year	Version	Cod. #	Q.ty
1	Vite	Screw	-	-	MFRP010048.4	1
2	Vite M5x10	Screw M5x10	-	-	2010360510.0	1
3	Vite forata	Bored screw	-	-	MFRP010053.4	1
4	Vite forata	Bored screw	-	-	MFRP010054.4	2
5	Vite M6x10	Screw M6x10	-	-	2010320610.0	1
6	Vite M10x1.25x30	Screw M10x1.25X30	-	-	2010491030.0	4
7	Vite M8x20	Screw M8x20	-	-	2010320820.0	12
8	Leva comando freno anteriore	Front brake lever	-	-	MFRP010041.4	1
9	Pompa freno anteriore completa	Front brake pump (complete)	-	-	MFRP010005.5	1
10	Rondella	Washer	-	-	2030000010.0	7
11	Serbatoio liquido freni anteriore	Tank, front brake fluid	-	-	MFRP010006.5	1
12	Silent-block	Silent-block	-	-	MFRP010047.4	1
13	Fascetta	Clamp	-	-	MFRP010050.4	2
14	Tube in gomma	Rubber tube	-	-	MFRP010049.4	1
15	Supporto serbatoio liquido freno anteriore	Support, front brake fluid tank	-	-	MFRP010056.3	1
16	Disco freno anteriore	Front brake disc	-	-	MFRP010061.4	2
17	Tube freno anteriore - pompa	Front brake tube - pump	-	-	MFRP010051.4	1
18	Pastiglie freno anteriore (4 pezzi)	Front brake pads (4 pieces)	-	-	MFRP010060.4	2
19	Pinza freno anteriore destra	Right front brake caliper	-	-	MFRP010007.5	1
20	Pinza freno anteriore sinistra	Left front brake caliper	-	-	MFRP010008.5	1
21	Tube freno anteriore - pinze	Front brake tube - calipers	-	-	MFRP010052.4	1