



Mondial Moto s.p.a.

SEMIMANUBRI - STERZO

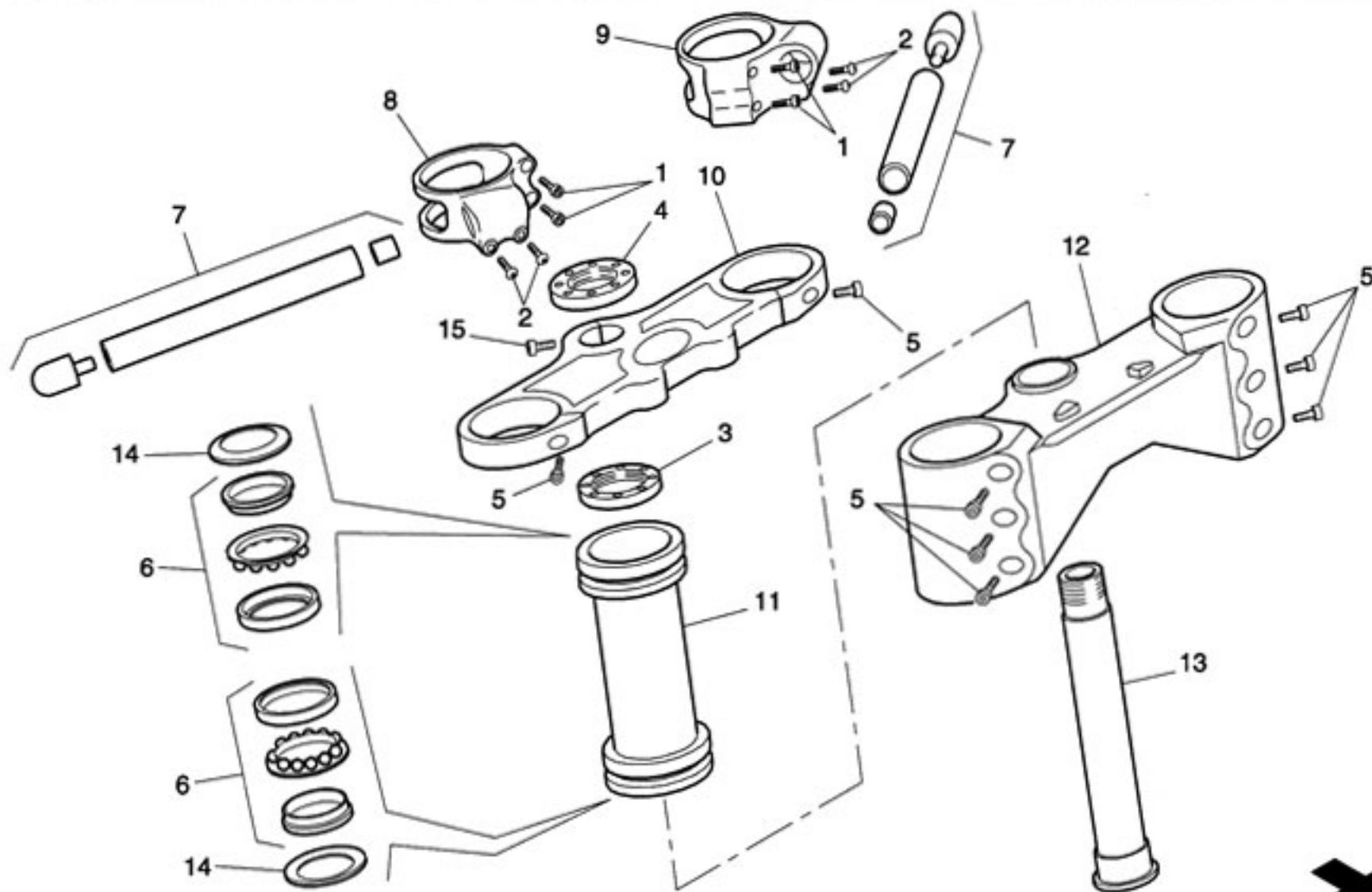
RIGHT/LEFT HANDLEBAR - STEERING STEM

Sez.
Sect.**F**Tav.
Tab.**07**

Piega

Cod. # MRBP010007.6

Release: 00/2003-07



Ref.	Descrizione	Description	Year	Version	Cod. #	Q.ty
1	Vite M6x20	Screw M6x20	-	-	2010410620.0	4
2	Vite M6x20	Screw M6x20	-	-	2010310620.0	4
3	Ghiera inferiore M35x1	Ring nut, lower, M35x1	-	-	MSTP010051.3	1
4	Ghiera superiore M32x1	Ring nut, upper, M32x1	-	-	MSTP010052.3	1
5	Vite M8x20	Screw M8x20	-	-	2010420820.0	8
6	Cuscinetto a sfere	Bearing, balls	-	-	2060103515.0	2
7	Semimanubrio	Handlebar	-	-	MSTP010036.5	2
8	Braccialeto semimanubrio destro	Armlet right handlebar	-	-	MSTP010045.3	1
9	Braccialeto semimanubrio sinistro	Armlet left handlebar	-	-	MSTP010046.3	1
10	Piastra superiore sterzo	Steering upper plate	-	(*1)	MSTP010054.3	1
			-	(*2)	MSTP010054.3A	1
11	Cannotto sterzo	Steering head	-	-	MSTP010044.3	1
12	Piastra inferiore sterzo	Steering lower plate	-	-	MSTP010055.3	1
13	Piantone sterzo	Steering stem	-	-	MSTP010053.3	1
14	Parapolvere	Dust seal	-	-	2050035554.0	2
15	Vite M8x20	Screw M8x20	-	(*2)	2010480820.0	1

(*1) = fino al telaio/up to frame # ZA9SP102PG7100034

(*2) = dal telaio/as of frame # ZA9SP102PG7100035