



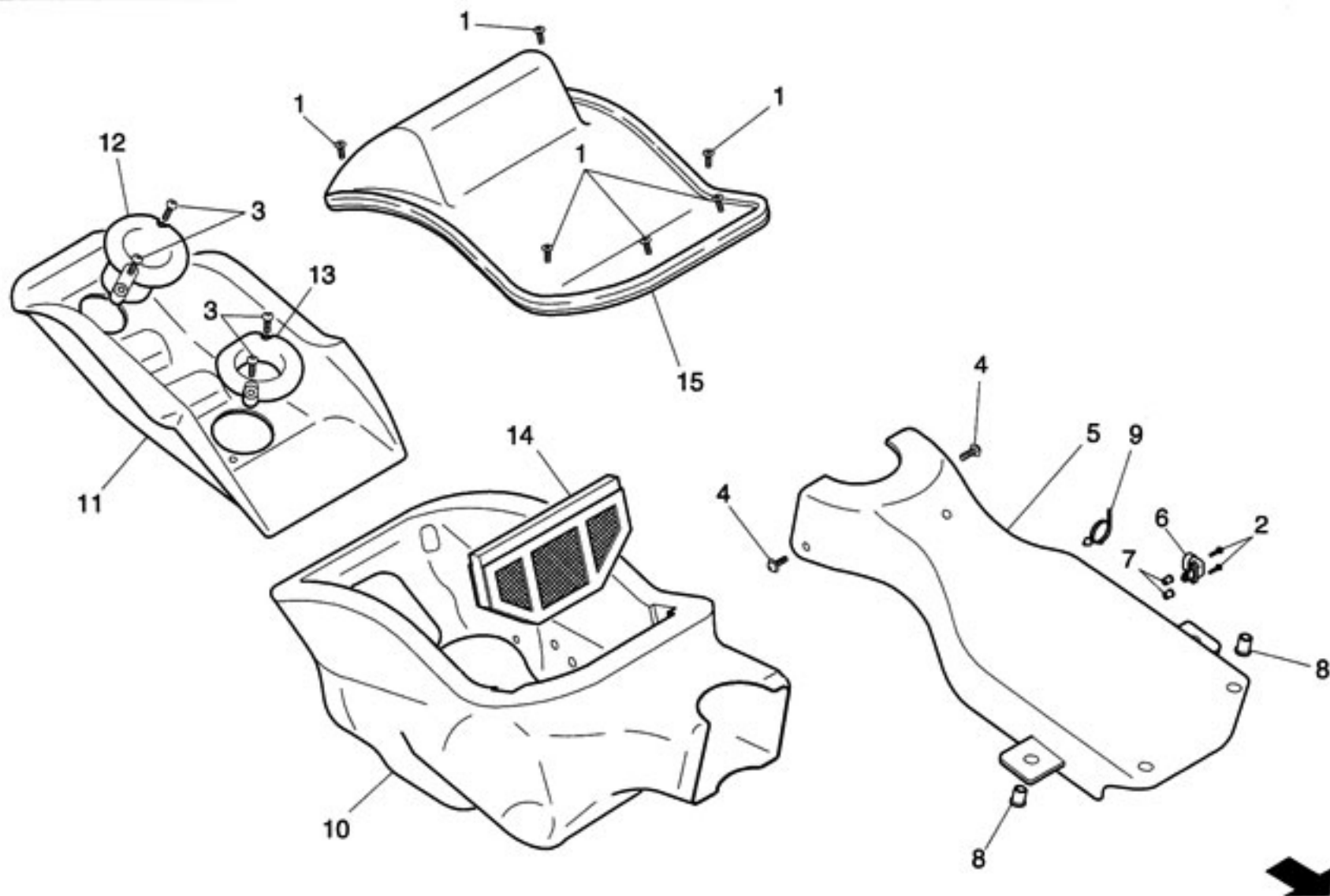
Mondial Moto s.p.a.

**AIR BOX
AIR BOX**Sez.
Sect.**F**Tav.
Tab.**15**

Piega

Cod. # MRBP010007.6

Release: 00/2003-07



Ref.	Descrizione	Description	Year	Version	Cod. #	Q.ty
1	Vite M4x12	Screw M4x12	-	-	2010510412.0	6
2	Vite M3x16	Screw M3x16	-	-	2010310316.0	2
3	Vite cornetto aspirazione	Screw, funnel	-	-	MIAP010319.4	4
4	Vite M6x12	Screw M6x12	-	-	2010360612.0	2
5	Naso air box	Air box duct	-	(*1)	MIAP010121.4	1
			-	(*2)	MIAP010391.4	1
6	Sensore temperatura aria	Air temperature sensor	-	-	MIEP010238.4	1
7	Gommino filettato M3	Rubber element M3, threaded	-	-	MIAP010288.4	2
8	Gommino filettato M6	Rubber element M6, threaded	-	-	MSVP010291.4	2
9	Fascetta	Clamp	-	-	2150105190.0	1
10	Air box	Air box	-	-	MIAP010114.3	1
11	Interno air box	Air box, inside	-	-	MIAP010115.3	1
12	Cornetto aspirazione posteriore	Funnel, RR	-	-	MIAP010318.4	1
13	Cornetto aspirazione anteriore	Funnel, FR	-	-	MIAP010317.4	1
14	Filtro aria	Air cleaner	-	-	MIAP010106.3	1
15	Coperchio cassa filtro	Air filter casing cover	-	-	MIAP010124.1	1

(*1) = fino al telaio/up to frame # ZA9SP102PG7100078

(*2) = dal telaio/as of frame # ZA9SP102PG7100079