



Mondial Moto s.p.a.

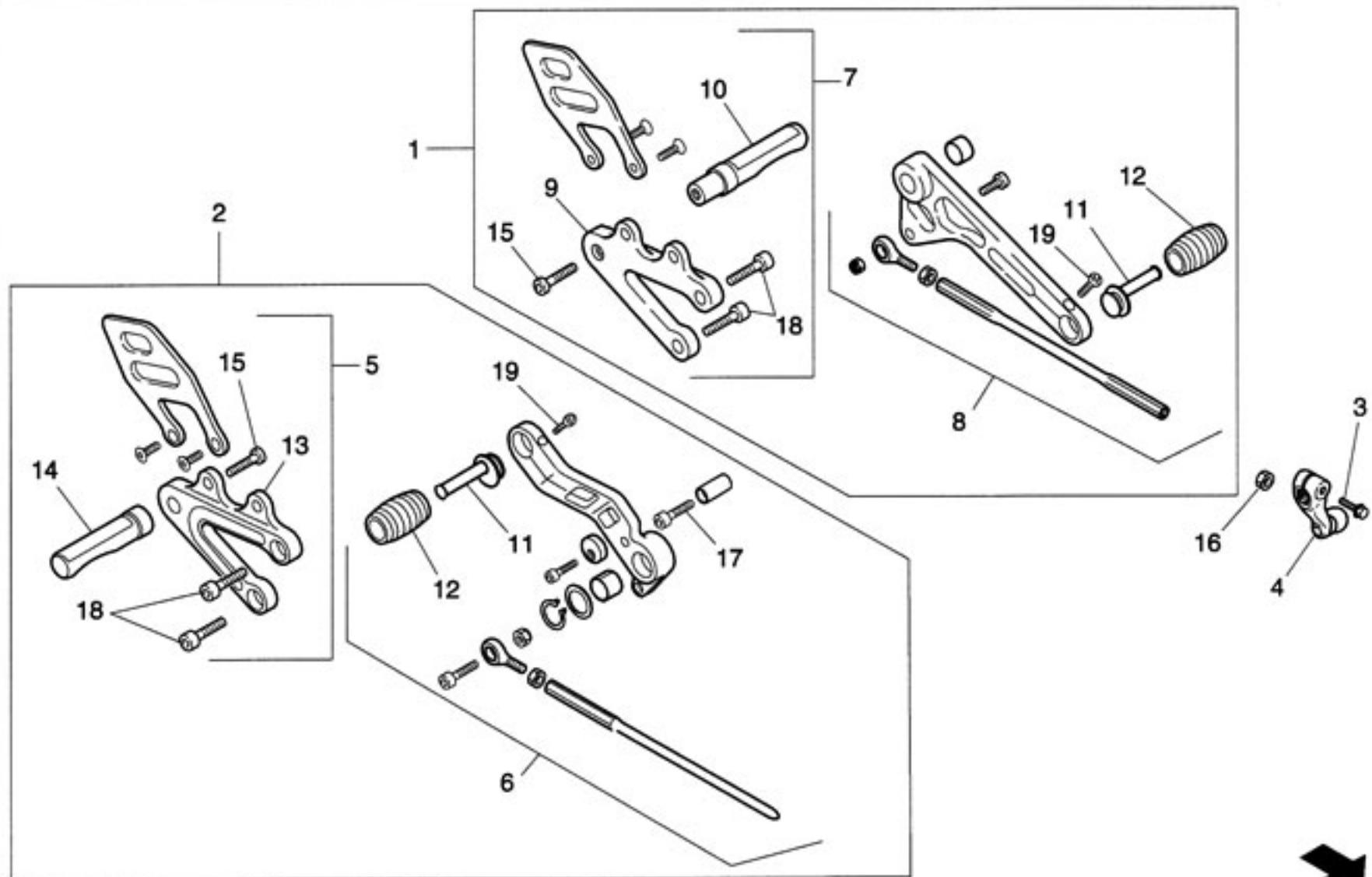
**LEVE COMANDI CAMBIO  
E FRENO POSTERIORE, PEDANE**  
**GEAR LEVER, REAR BRAKE LEVER, FOOTRESTS**

Sez.  
Sect.**F**Tav.  
Tab.**18**

Piega

Cod. # MRBP010007.6

Release: 00/2003-07



Ref.	Descrizione	Description	Year	Version	Cod. #	Q.ty
1	Kit pedana sinistra completa	Kit, footrest compl., L	-	-	MPD010035.5	1
2	Kit pedana destra completa	Kit, footrest compl., R	-	-	MPD010034.5	1
3	Vite 6x20	Screw 6x20	-	-	MPD010103.4	1
4	Rinvio comando cambio testa snodo	Arm, gear change	-	-	MPD010098.4	1
5	Kit poggiatesta destro completo	Kit, main step compl., R	-	-	MPDP010040.5	1
6	Kit leva freno posteriore completo	Brake lever compl., RR	-	-	MPDP010039.5	1
7	Kit poggiatesta sinistro completo	Kit, main step compl., L	-	-	MPDP010041.5	1
8	Kit leva cambio completo	Kit, gear lever, compl.	-	-	MPDP010038.5	1
9	Piastra supporto pedana sinistra	Holder, footrest, L	-	-	MPDP010122.3	1
10	Poggiatesta sinistro	Footrest, L	-	-	MPDP010074.3	1
11	Eccentrico leva	Eccentric, lever	-	-	MPDP010070.3	2
12	Gommino eccentrico	Rubber, eccentric	-	-	MPDP010209.4	2
13	Piastra supporto pedana destra	Holder, footrest, R	-	-	MPDP010064.3	1
14	Poggiatesta destro	Footrest, R	-	-	MPDP010065.3	1
15	Vite 8x25	Screw 8x25	-	-	2010480825.0	2
16	Dado M6 sinistro	Nut M6, arm fixing	-	-	2020300006.0	1
17	Vite 6x50	Screw 6x50	-	-	2010410650.0	1
18	Vite 8x20	Screw 8x20	-	-	2010480820.0	4
19	Vite 4x16	Screw 4x16	-	-	2010410416.0	2