



Mondial Moto s.p.a.

FORCELLONE POSTERIORE SWING ARM

Sez.
Sect.

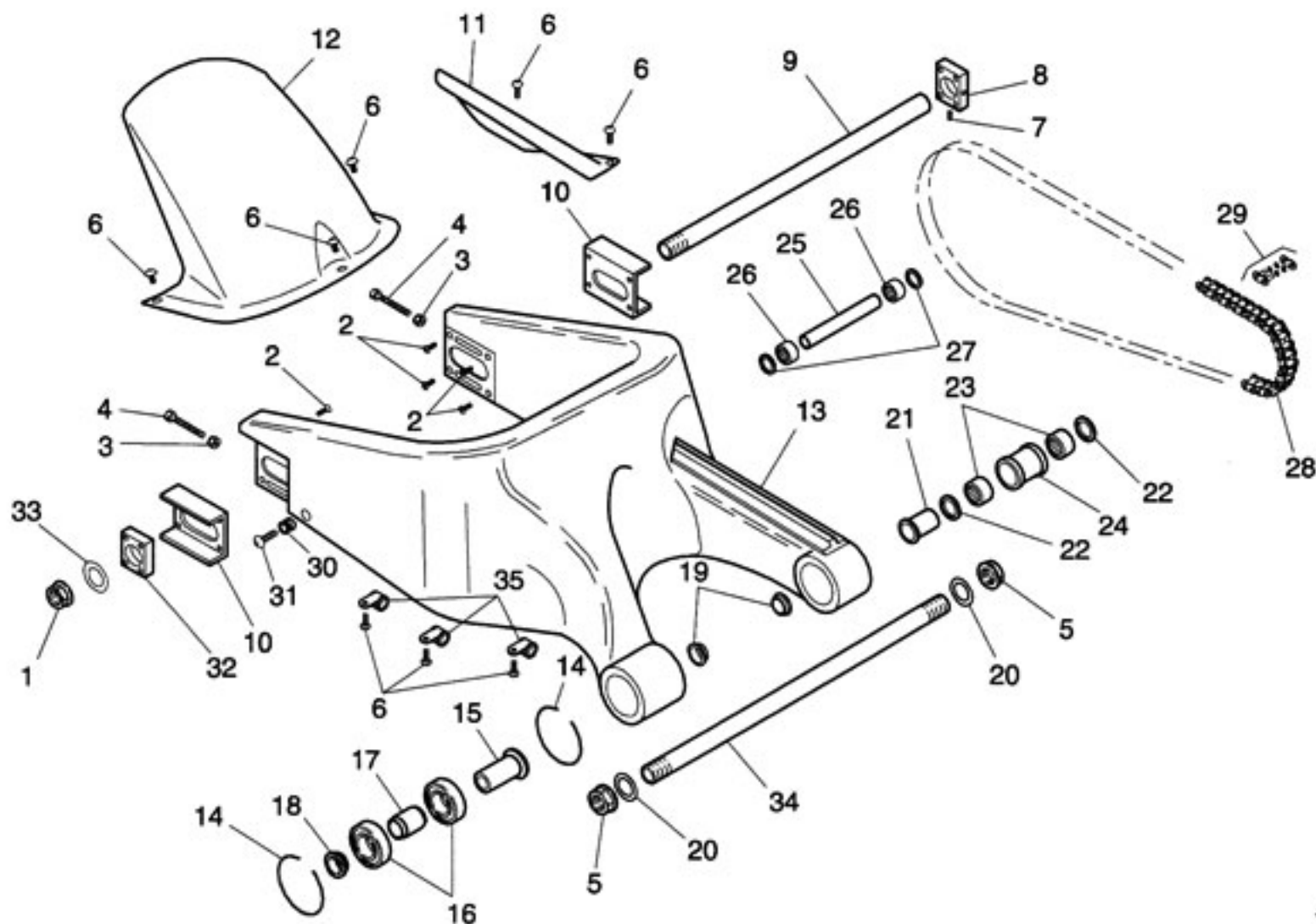
F 20a

Tav.
Tab.

Piega

Cod. # MRBP010007.6

Release: 00/2003-07



Ref.	Descrizione	Description	Year	Version	Cod. #	Q.ty
25	Boccola	Bush	-	-	MFCP010026.3	1
26	Cuscinetto	Bearing	-	-	2060201416.0	2
27	Paraolio	Oil seal	-	-	2050001824.0	2
28	Catena di trasmissione	Drive chain	-	-	MRTP010106.4	1
29	Maglia di giunzione	Drive chain, joint	-	-	MRTP010359.4	1
30	Supporto cavalletto posteriore	Support, rear stand	-	-	MFCP010121.3	2
31	Vite M8x30	Screw M8x30	-	-	2010510830.0	2
32	Tendicatena	Chain tensioner	-	-	MRTP010094.3	1
33	Rasamento	Shim	-	-	2100002436.0	1
34	Perno forcellone	Axle, swing arm	-	-	MFCP010036.3	1
35	Passacavo	Cable guide	-	-	2150400008.0	3