



Mondial Moto s.p.a.

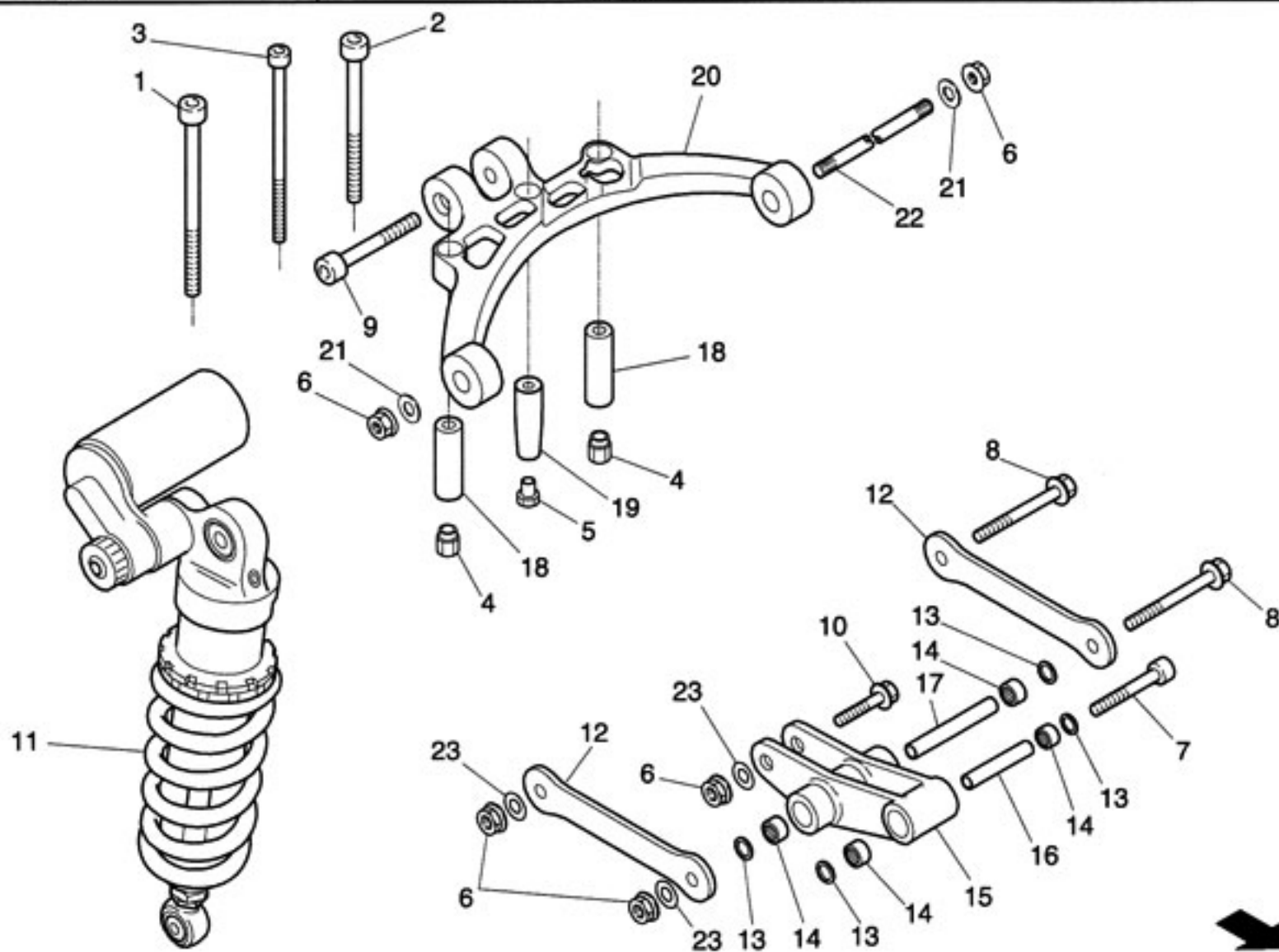
AMMORTIZZATORE POSTERIORE REAR SHOCK ABSORBER

Sez.
Sect.**F**Tav.
Tab.**21**

Piega

Cod. # MRBP010007.6

Release: 00/2003-07



Ref.	Descrizione	Description	Year	Version	Cod. #	Q.ty
1	Vite M10x1.25X128	Screw M10x1.25X128	-	-	MTEP010020.3	1
2	Vite M10x1.25X124	Screw M10x1.25X124	-	-	MTEP010021.3	1
3	Vite M8x1.25X124	Screw M8x1.25X124	-	-	MTEP010022.3	1
4	Dado M10x1.25	Nut M10x1.25	-	-	MTEP010104.3	2
5	Dado M8x1.25	Nut M8x1.25	-	-	MTEP010103.3	1
6	Dado M12	Nut M12	-	-	2020610012.0	5
7	Vite M12x95	Screw M12x95	-	-	MFCP010040.3	1
8	Vite M12x125.5	Screw M12x125.5	-	-	MFCP010041.3	2
9	Vite M12x50	Screw M12x50	-	-	MFCP010039.3	1
10	Vite M12x56	Screw M12x56	-	-	MFCP010038.3	1
11	Ammortizzatore posteriore	Shock absorber	-	-	MSPP010089.4	1
12	Biella collegamento	Connecting rod	-	-	MFCP010037.3	2
13	Paraolio	Oil seal	-	-	2050001824.0	4
14	Cuscinetto gabbia a rulli	Bearing, needle	-	-	2060201416.0	4
15	Bilancere	Balance arm	-	-	MFCP010024.3	1
16	Boccola	Bush	-	-	MFCP010025.3	1
17	Boccola	Bush	-	-	MFCP010026.3	1
18	Distanziale	Spacer	-	-	MTEP010004.3	2
19	Distanziale	Spacer	-	-	MTEP010005.3	1
20	Supporto ammortizzatore	Support, shock absorber	-	-	MTEP010016.3	1
21	Rondella	Washer	-	-	2030201225.0	2
22	Perno centrale motore	Axle, engine, central	-	-	MTEP010023.3	1
23	Rasamento	Shim	-	-	2100012524.0	3