



Mondial Moto s.p.a.

**TELAIO
FRAME**

Sez.
Sect.

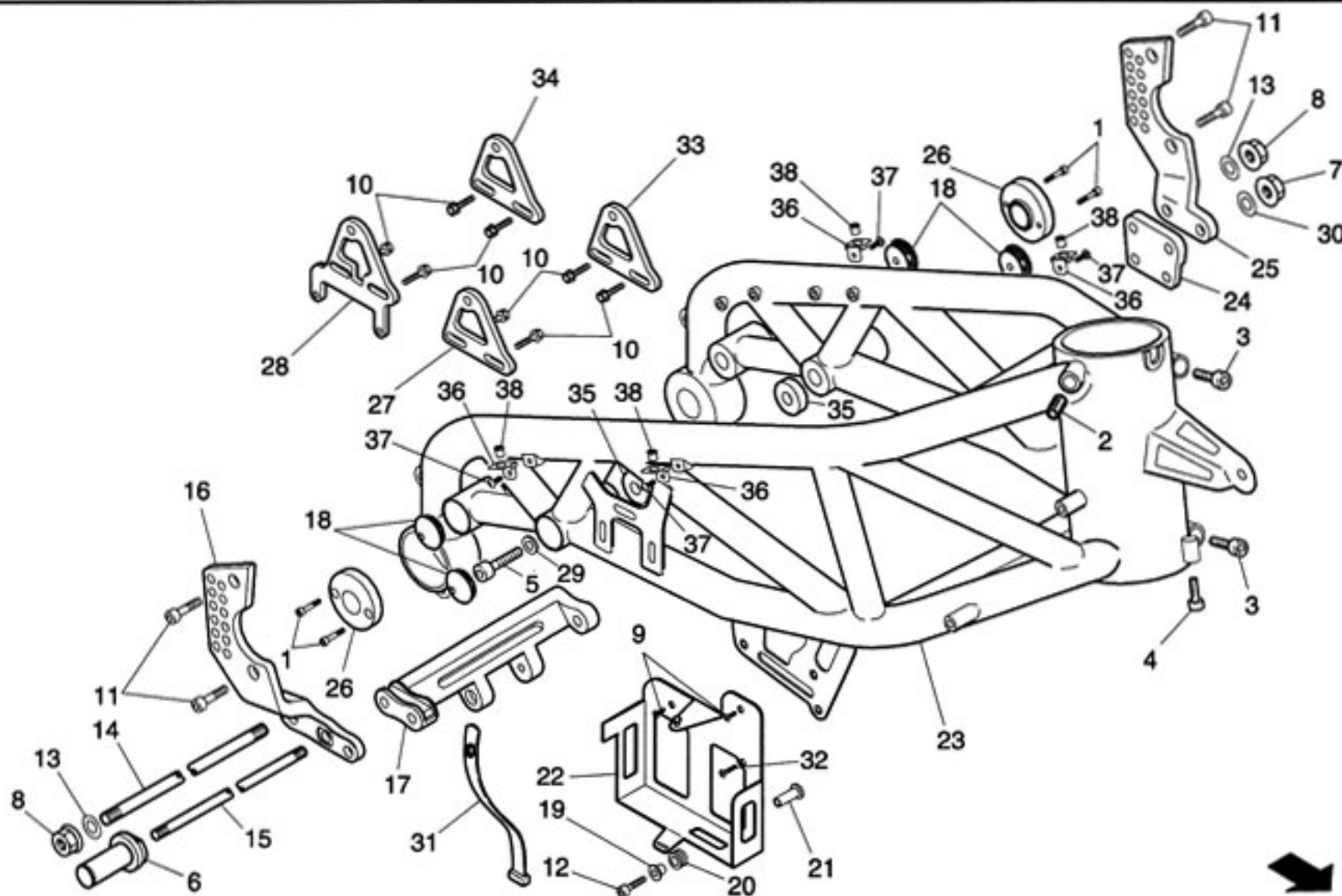
F 23a

Tav.
Tab.

Piega

Cod. # MRBP010007.6

Release: 00/2003-07



| Ref. | Descrizione | Description | Year | Version | Cod. # | Q.ty |
|------|----------------------------------|-----------------------------|------|---------|--------------|------|
| 24 | Piastra supporto cavalletto | Plate, stand, support | - | - | MTEP010009.3 | 1 |
| 25 | Piastra supporto pedana sinistra | Holder, footrest, L | - | - | MTEP010019.3 | 1 |
| 26 | Boccola | Bush | - | - | MTEP010002.3 | 2 |
| 27 | Piastra codone FR - R | Plate, rear fairing, FR - R | - | - | MTEP010014.3 | 1 |
| 28 | Piastra codone RR - R | Plate, rear fairing, RR - R | - | - | MTEP010015.3 | 1 |
| 29 | Rondella | Washer | - | - | 2030201225.0 | 2 |
| 30 | Rondella | Washer | - | - | 2030001021.0 | 1 |
| 31 | Elastico portabatteria | Battery holder snap ring | - | - | MTEP010003.4 | 1 |
| 32 | Vite 6x16 | Screw 6x16 | - | - | 2010510616.0 | 1 |
| 33 | Piastra codone FR - L | Plate, rear fairing, FR - L | - | - | MTEP010150.3 | 1 |
| 34 | Piastra codone RR - L | Plate, rear fairing, RR - L | - | - | MTEP010151.3 | 1 |
| 35 | Distanziale | Spacer | - | - | MTEP010118.3 | 2 |
| 36 | Supporto | Support | - | - | MSVP010190.4 | 4 |
| 37 | Vite 6x10 | Screw 6x10 | - | - | 2010320610.0 | 3 |
| 38 | Gommino M6 | Rubber element M6 | - | - | MSVP010291.4 | 4 |