



Mondial Moto s.p.a.

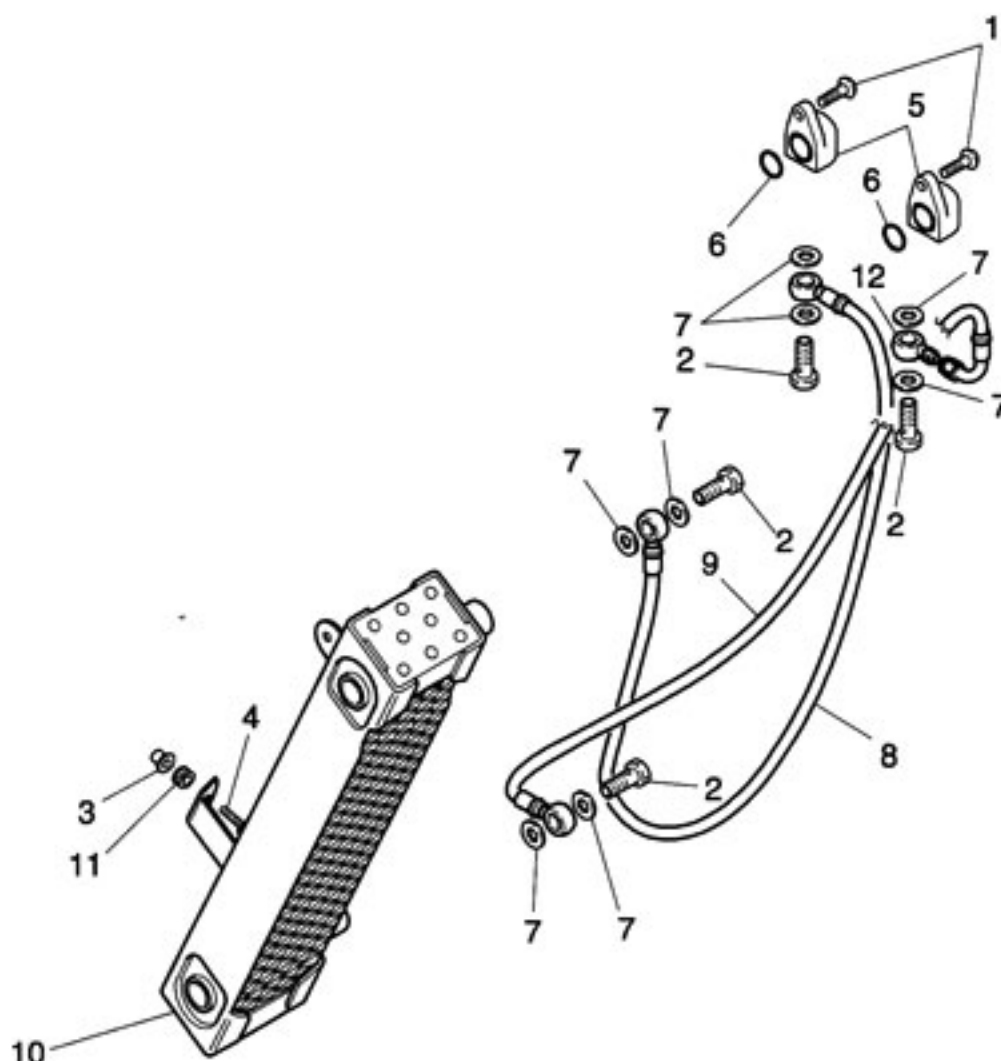
RADIATORE OLIO MOTORE OIL RADIATOR

Sez.
Sect.**F**Tav.
Tab.**26**

Piega

Cod. # MRBP010007.6

Release: 00/2003-07



Ref.	Descrizione	Description	Year	Version	Cod. #	Q.ty
1	Vite M8x20	Screw M8x20	-	-	2010310820.0	2
2	Vite forata	Screw	-	-	MRDP010025.4	4
3	Distanziale	Spacer	-	-	MRDP010110.3	1
4	Vite M6x35	Screw M6x35	-	-	2010260635.0	1
5	Raccordo olio motore	Fitting, engine oil	-	-	MRDP010042.3	2
6	O-ring	O-ring	-	-	2081078262.0	2
7	Rondella	Washer	-	-	MRDP010259.4	8
8	Tubo olio superiore	Tube, upper, oil	-	-	MRDP010020.4	1
9	Tubo olio inferiore	Tube, lower, oil	-	-	MRDP010021.4	1
10	Radiatore olio motore	Radiator, oil	-	-	MRDP010019.4	1
11	Silent block	Silent-block	-	-	2120812189.0	1
12	Occhiello	Union	-	-	MRDP010290.4	1